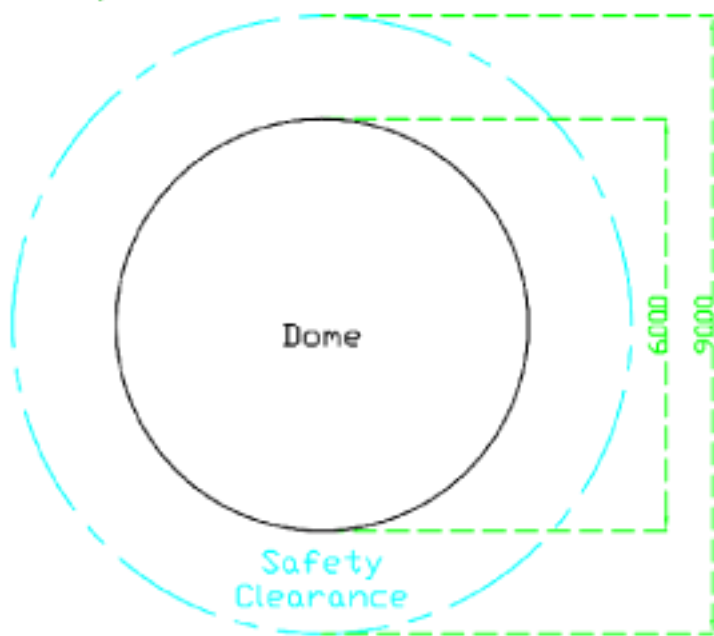
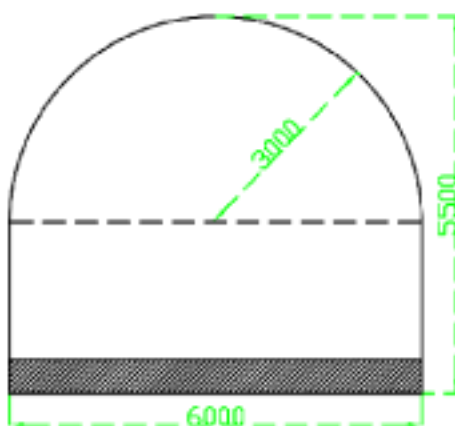


- The Lightning Dome - Technical Requirements



The Lightning Dome is our most self-contained effects system. To operate it requires simply a flat floor area, sufficient vertical clearance and a mains or generator power supply. To install the system we require loading access with a minimum width of 1 metre. All components of the system are man-handlable.

Safety requires that we have a clear area 1.5 metres around the dome (9 metres overall diameter). No audience members, crew or equipment must be placed in this area. Where there is a standing audience, a physical barrier must be present to mark this safety clearance.

Ballast in the form of sand bags is required to stabilise the dome. For indoor use we need 8 x 30kg sandbags (total ballast 240kg.). For outdoor use we need 24 x 30kg. sandbags (total ballast 720 kg.). These sandbags should be sealed to prevent leakage of sand.

The dome requires a continuous supply of clean air. This is supplied by a blower connected to the dome. If the system is to operate in a dusty or wet location please inform us so that we can supply adequate filtering for the air intake.

The lightning dome requires a safety electrical ground connection in addition to the mains supply ground. In indoor locations this connection can often be made to the structure of the building (steel girders, water pipes, steel reinforcement mesh, steel cladding). In outdoor locations we will need to drive ground stakes. In this case please notify us of any buried cables in the area of installation.



Key Requirements	6 metre Dome
Power	230V, 63A, 50Hz.
Diameter	6.0 metres
Height	5.5 metres
Clearance	9.0 metres
Ship Weight	532 kg.

This technical requirements document is issued for guidance only. If you have any query please contact a member of our technical staff. Issued 28/03/2008. E.&O.E.